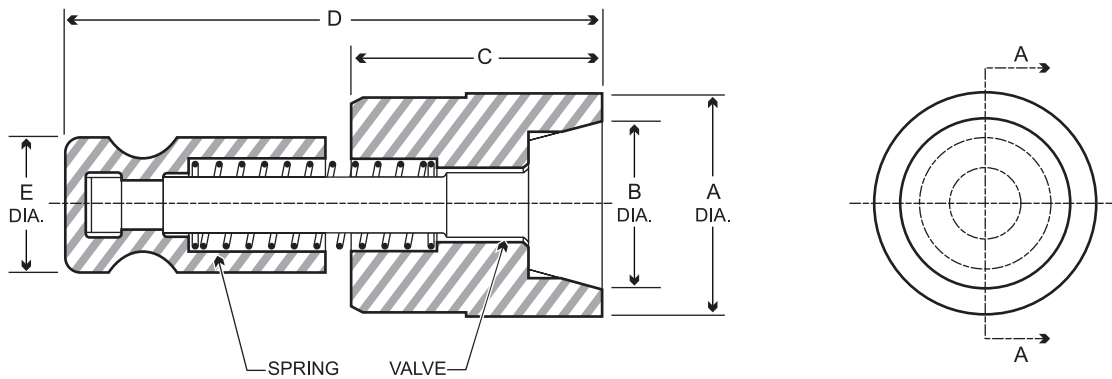
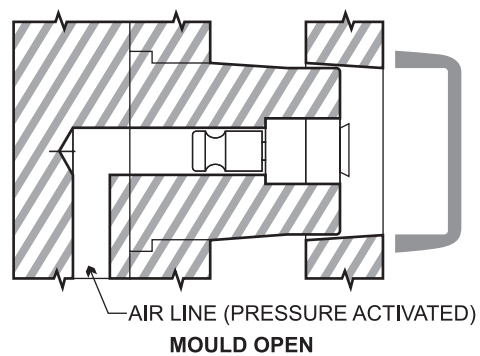
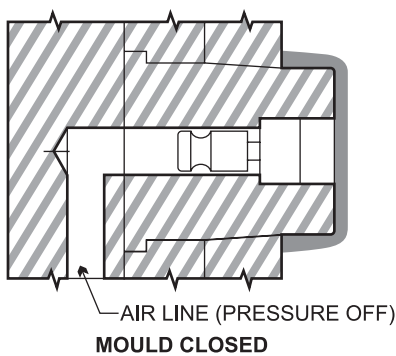


Material: 420 Stainless Steel
Hardness: HRC50-55

Ideal components for preventing mould damage due to ejection problems with deep draw or thin-walled parts.



Example



| Type | A Ø | B Ø (approx) | C Body Length | D Overall Length | E Ø |
|-------|--------|-----------------|------------------|---------------------|--------|
| AV-01 | 8 | 6.6 | 11 | 24 | 6 |
| AV-02 | 12 | 9.7 | 18 | 34 | 8 |
| AV-03 | 18 | 14.8 | 22 | 45.5 | 12 |